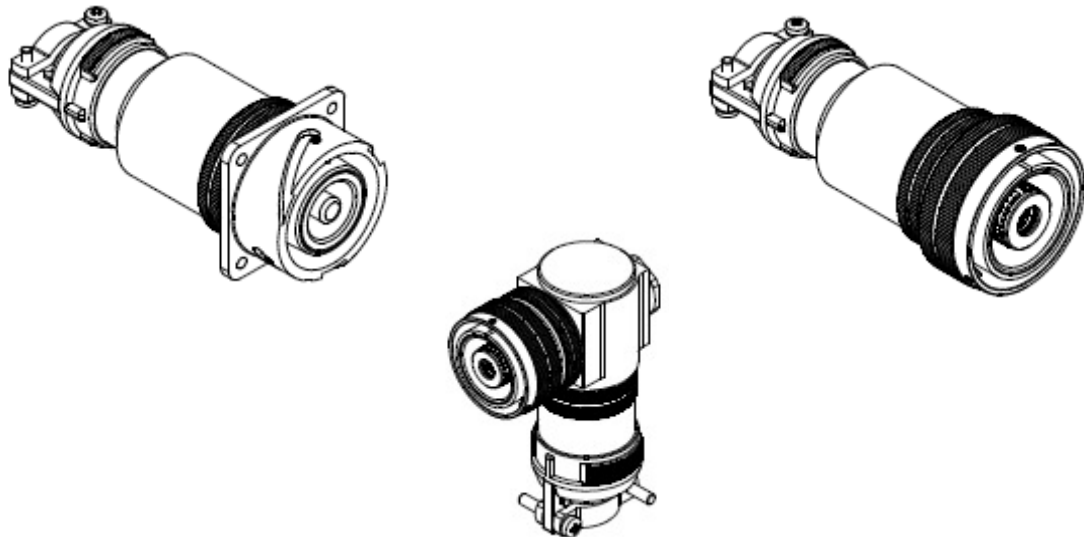


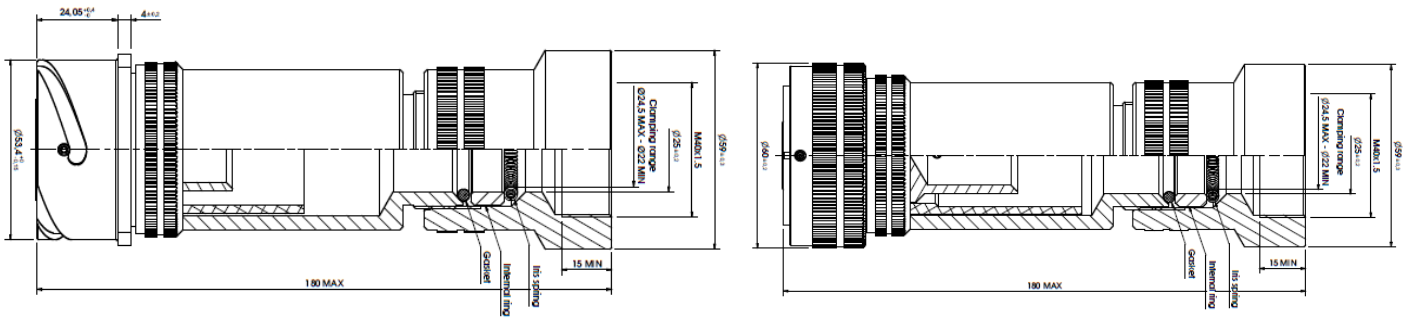
Single pole metal shell connectors



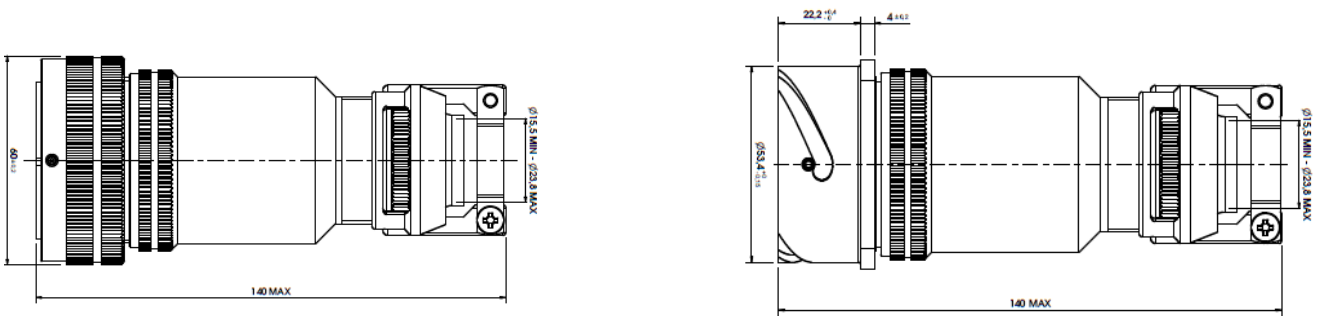
Working Voltage	1800Vdc 1300Vac
Test Voltage	5600Vac 60 sec
Environmental sealing (when mated)	IP67
Insulating Material	UNI CEI 11170-3 NFF 16-102 Need 3
Temperature Class	T according to EN50125-1: -25°C +45°C
Min and maximum working temperature	H PWBS -40°C +180°C PWBS -40°C +120°C
Temperature rise under load	600A continuous: 37°C 1000A continuous: 121°C Cycle 2sec @1300A +300sec 1000A:112°C
Short circuit current	
Surge current (din VDE 0102/1.90)	
Other characteristics	
Contact retention	Metal clip
Plastic material	According to CEI11170-3 and NFF 16-102 (4) Two version are available: Standard -40°C +120°C High performance -40°C + 180°C
Contact	Silver plated copper alloy According to the need can be supplied with 1 or two contactaion bands
Shielding	Available when supplied with grounding finger, conductive plating and the proper rear accessory

25/03/16

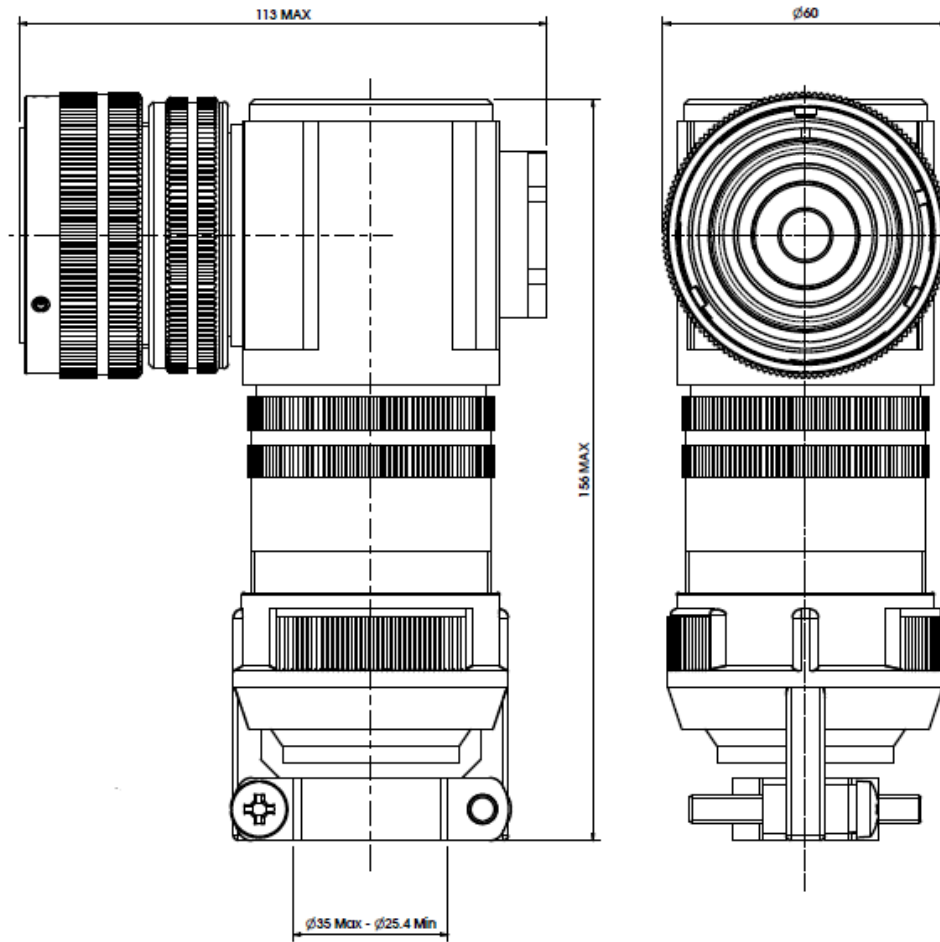
* where applicable



AMK Backshell System



AC Backshell System



AC Elbow System

Temp. range	Insulation	Serie	Type	Accessory	Arrangement	P/S	Contact	accessory additional information	Plating
H		PWBS	06	AMK	32B1	P	LC	23 M40	F7

Temp Range	
-	-40 120°
H	-40 180°
Insulation	
- (absent)	std
V	3000V
Serie	
PWBS	Single pole power connectro metallic shell
Type	
06	plug
06GG	Plug with rubber coated coupling nut
96	Plug with grounding finger (shielding)
96GG	Plug with grounding finger and rubber coated coupling nut
030	Rear Mount receptacle
01	Inline receptacle
Accessory + accessory additional information	
AC R16	Backshell with C type cable clamp (13-19mm)
AC R20	Backshell with C type cable clamp (17-23mm)
AC R28	Backshell with C type cable clamp (25-31mm)
AMK 23 1 13/4	Amk 23mm sealing externa thread 1 3/4" UNEF
AMK 23 M40	Amk 23mm sealing externa thread M40 internal
AMK 19 M40	Amk 19mm sealing externa thread M40 internal
Arrangement	
32B1	Shell 32 single pole
P/S	
P	Pin contact (receptacle)
S	Socket contact (Plug)
Contact	
LC	Contact supplied loose
2 30-120	Double band 120mm ²
2 30-185	Double band 185mm ²
2 30-240	Double band 240mm ²
1 30-120	Single band 120mm ²
1 30-185	Single band 185mm ²
1 30-240	Single band 240mm ²
Plating	
F7	Black polyurethanic painting
F26	Black anodized
F16	Zinc cobalt black (conductive)

Van-System s.r.l

Via Zambelletti, 19 20021 Baranzate (MI) Italia
T +39 02 3569931 F +39 02 38204205
E info@vansystem.it W www.vansystem.it